



# Maxtek SS-104

## Single Shutter

### PNEUMATICALLY ACTUATED SINGLE SHUTTER FOR USE WITH MAXTEK SH-102 SENSOR HEAD

The SS-104 is a pneumatically actuated shutter designed to be used with the SH-102 sensor head. The combination allows the sensor crystal to be shuttered from the source to facilitate multiple sensor applications or periodic rate sampling to extend the crystal life. A pneumatic valve such as the PSV-100 is required to actuate the SS-104. To complete the installation, use either the IF-121 or the IF-277 feedthrough. The IF-121 is a 2.5 cm (1") bolt, o-ring sealed feedthrough with one electrical, two water and one air port. The IF-277 is a 7 cm (2-3/4") ConFlat® feedthrough with one electrical, two water and one air port. Brazing or Swagelok® fittings are required to complete the installation.

The SS-104 mounts to the SH-102 sensor head using two #4-40 screws. The SS-104 is supplied with a 76 cm (30") long, 0.31 cm (1/8") diameter stainless steel tube welded to the shutter's bellows assembly. The air tube and the two water tubes from the sensor head slide into the feedthrough for brazing or can be connected to the feedthrough using the supplied Swagelok® fittings. The length of the completed assembly can range from 15 cm to 66 cm (6" to 26").

#### FEATURES AT A GLANCE

- Pneumatically actuated shutter
- Facilitates multiple sensor applications or periodic rate sampling

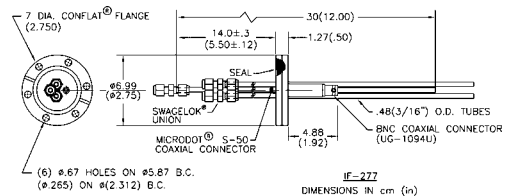
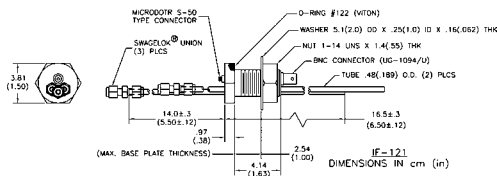
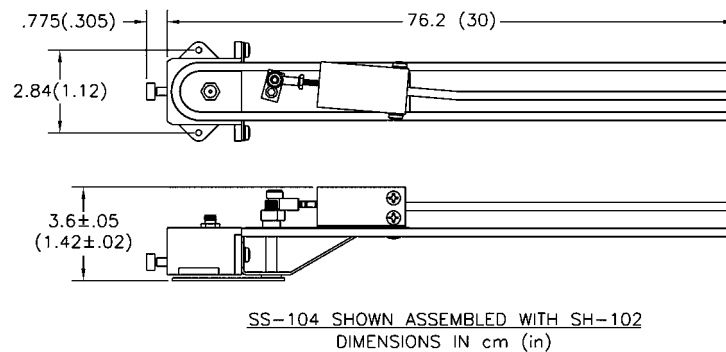
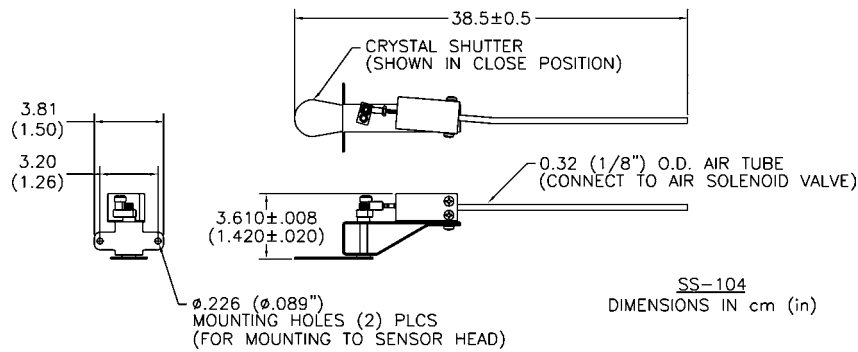
## SPECIFICATIONS

Materials	304 CRES
Finish	Stainless steel
Temperature	Operational environment to 400°C
Air Supply	55 o 60 PSI regulated

## ORDERING INFORMATION

Each sensor head includes: (1) SS-104, (1) package of 10 each SC-101 crystals

Model #	Part #	Description
SS-104	123217	Single shutter assembly, 76 cm (30") air tube
IF-121	130211	2.54 cm (1") bolt feedthrough, (1) electrical connector and (3) 0.48 cm (3/16") diameter tubes
IF-277	130204-3	7 cm (2-3/4") ConFlat® feedthrough, (1) electrical connector and (3) 0.48 cm (3/16") diameter tubes
PSV-100	147202	12 VDC pneumatic shutter valve



[www.inficon.com](http://www.inficon.com) [reachus@inficon.com](mailto:reachus@inficon.com)

All trademarks are the property of their respective owners.

Due to our continuing program of product improvements, specifications are subject to change without notice.

cmbd80a1 ©2007 INFICON