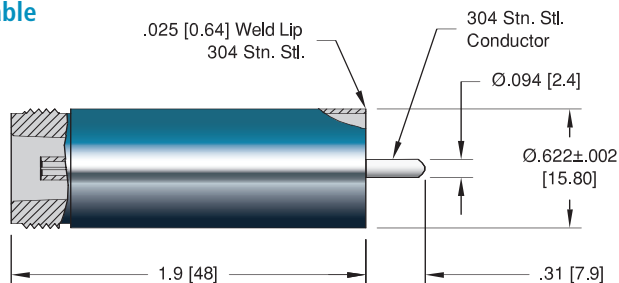
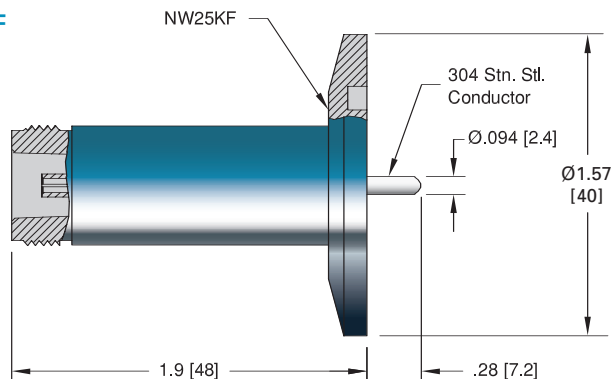


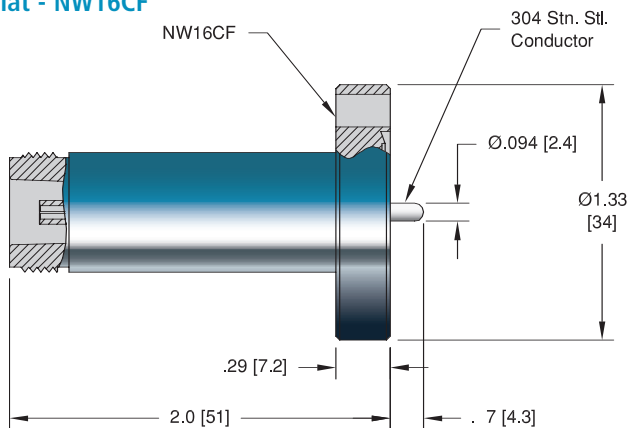
Single Ended – Grounded Shield Weldable



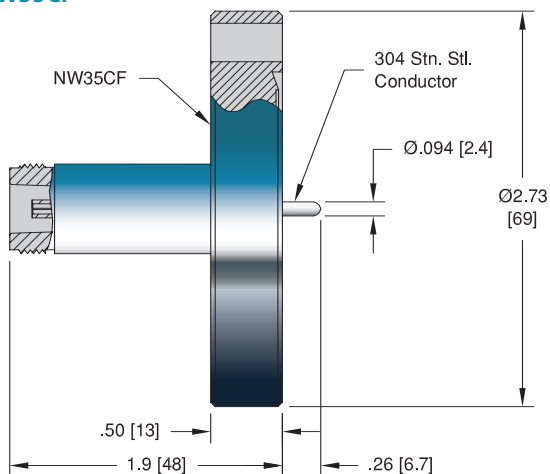
ISO KF



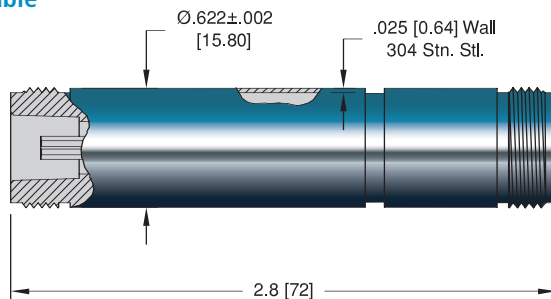
ConFlat - NW16CF



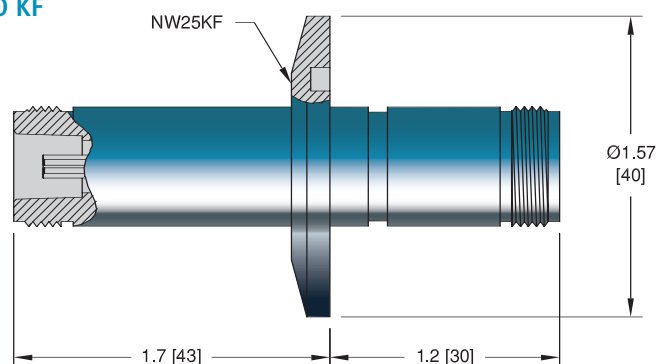
ConFlat - NW35CF



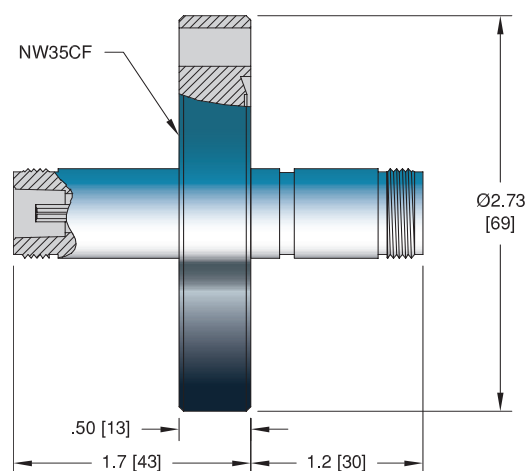
Double Ended – Grounded Shield Weldable



ISO KF



ConFlat



Specifications

Materials

Housing: 304 Stainless steel
Pin: 304 Stainless steel
Insulation: Alumina ceramic
Magnetic Materials: No

Voltage Rating 1.5 kV DC

Current Rating 3.6 Amps

Temperature Range -269°C to 450°C, ISO KF -25°C to 205°C

Pressure @ 20°C See table

Single & Double Ended
Weldable



STYLE	INSTALLATION	PRESSURE @ 20°C PSIG BAR		PART NUMBER
Single Ended	Weld	1800	124	7589-02-W†
Double Ended	Weld	1800	124	18077-02-W

ISO FLANGE

Single & Double Ended
ISO KF



Single Ended	NW25KF	-	-	18057-01-KF
Double Ended	NW40KF	-	-	18078-02-KF†

CONFLAT FLANGE

Single & Double Ended
ConFlat



Single Ended	1 1/3" (NW16CF)	1800	124	7588-02-CF†
Single Ended	2 3/4" (NW35CF)	1500	103	7587-02-CF
Double Ended	2 3/4" (NW35CF)	1500	103	18080-02-CF

Air Side Plug



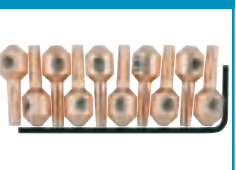
TYPE	VOLTAGE DC	CONDUCTOR AMPS	DIMENSIONS H L		DESCRIPTION	PART NUMBER
Air Side	1.5 kV	5	0.81 [20]	1.5 [38]	Type N Plug	7707-01

Air Side Cable
Assembly



TYPE	LENGTH	VOLTAGE DC	CONDUCTOR AMPS	TEMPERATURE MIN MAX		PART NUMBER
50 Ohm Type N – Double Ended	10'	1.5 kV	5	-55	85	21619-01-A

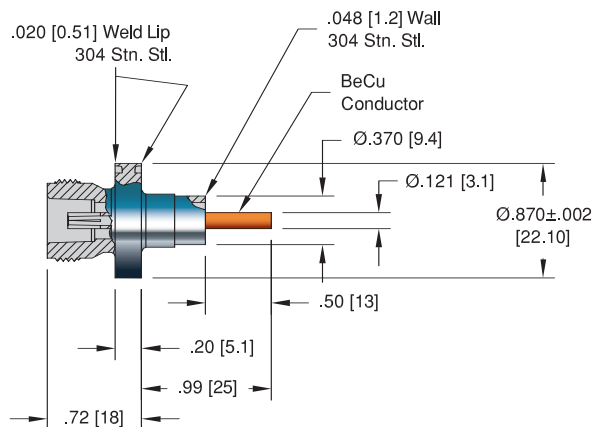
Contacts



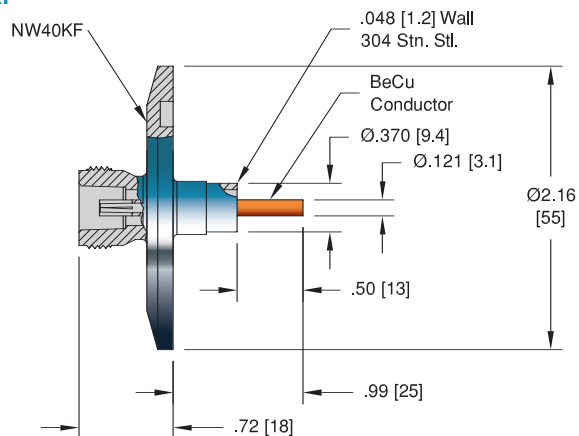
TYPE	MATERIAL	DESCRIPTION	PART NUMBER
0.094 Set Screw Type Contacts	Beryllium Copper	Accepts wire up to 0.050 [1.3]	7429-01-A†
0.094 Barrel Type Contacts	Beryllium Copper	Accepts wire up to 0.094 [2.4]	7332-04-A

*Contacts priced and sold in packages of 10. †Shown in photo. See the Accessories section for more information on all accessories.

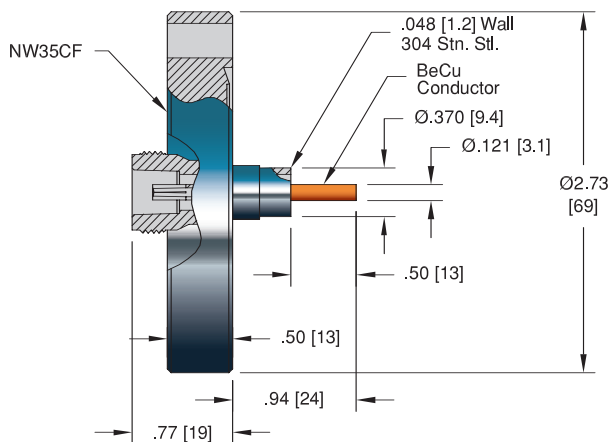
Single Ended – Grounded Shield Weldable



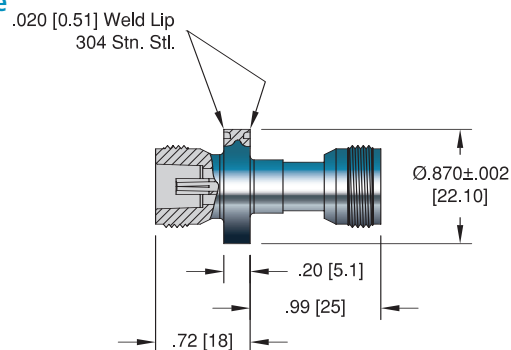
ISO KF



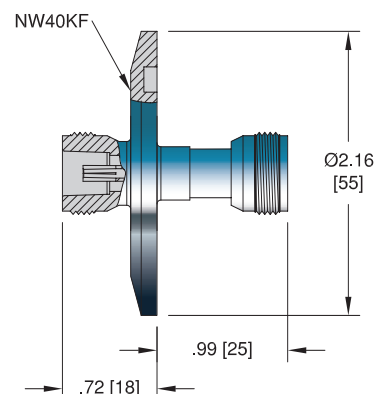
ConFlat



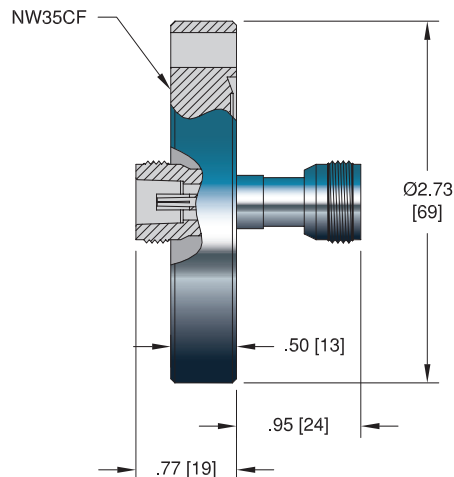
Double Ended – Grounded Shield Weldable



ISO KF



ConFlat



Specifications

Materials

Housing: 304 Stainless steel
Pin/Contact: Beryllium Copper
Insulation: Glass-ceramic
Magnetic Materials: No

Voltage Rating 1.5 kV DC

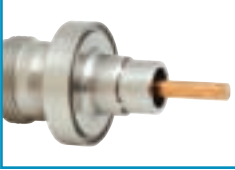
Current Rating 1 Amp

Temperature Range -200°C to 225°C, ISO KF -25°C to 205°C

Pressure @ 20°C 500 PSIG (34 Bar), ISO KF 0 PSIG



Single & Double Ended
Weldable



STYLE	INSTALLATION	PART NUMBER
Single Ended	Weld	18066-01-W†
Double Ended	Weld	18069-01-W

ISO FLANGE

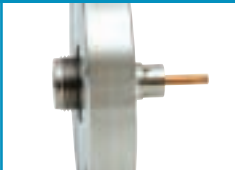
Single & Double Ended
ISO KF



Single Ended	NW40KF	18067-01-KF
Double Ended	NW40KF	18070-01-KF†

CONFLAT FLANGE

Single & Double Ended
ConFlat



Single Ended	2 3/4" (NW35CF)	18068-01-CF†
Double Ended	2 3/4" (NW35CF)	18071-01-CF

Air Side Plug



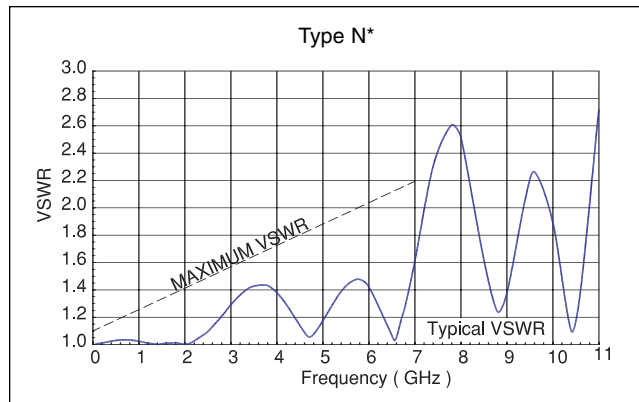
TYPE	VOLTAGE DC	CONDUCTOR AMPS	DIMENSIONS H L		DESCRIPTION	PART NUMBER
Air Side	1.5 kV	5	0.81 [20]	1.5 [38]	Type N Plug	7707-01

Air Side Cable
Assembly



TYPE	LENGTH	VOLTAGE DC	CONDUCTOR AMPS	TEMPERATURE MIN MAX		PART NUMBER
50 Ohm Type N – Double Ended	10'	1.5 kV	5	-55	85	21619-01-A

†Shown in photo. See the Accessories section for more information on all accessories.



*Applies when properly mated to a 50 Ohm load.