



Tec-Seal™ High Pressure Feedthroughs

Tec-Seal™ feedthrough products are built for extreme downhole environments. These rugged hermetic feedthroughs are rated for pressures up to 25,000 psi and temperatures up to 450° C. The Tec-Seal™ embedded seal design will maintain the seal integrity even if one or both sides of the feedthrough are sheared off, thus protecting the bulkhead electronics from damage. These standard designs are also built for dual pressure applications, which means that they can take 25,000 psi from either side. These designs are successfully tested to 50,000 psig but the assembly pressure rating is limited by the o-ring. There isn't a more reliable or durable feedthrough available.

The temperature rating of the assembly is limited by the O-ring material. Viton® is the standard O-ring material used and this material has a high end temperature capability of 205° C. 100% of CeramTec's Ceramaseal® products are helium leak tested to meet or exceed 10^{-10} atm-cc/sec (He). Custom bolt sizes, pin configurations or sizes are available upon request.

Specifications

Materials

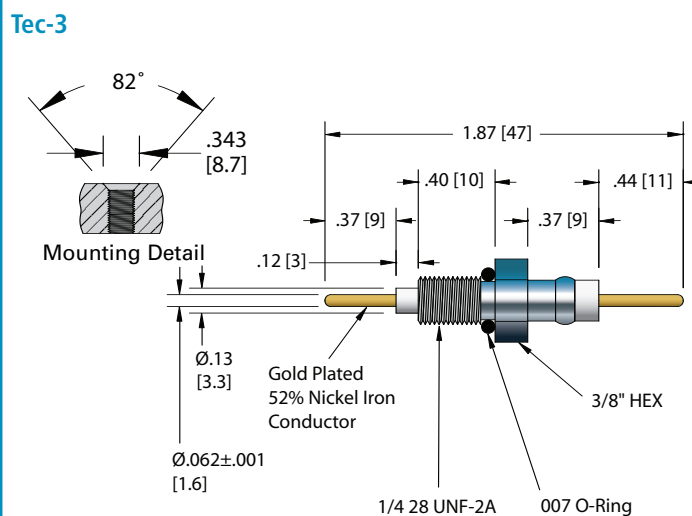
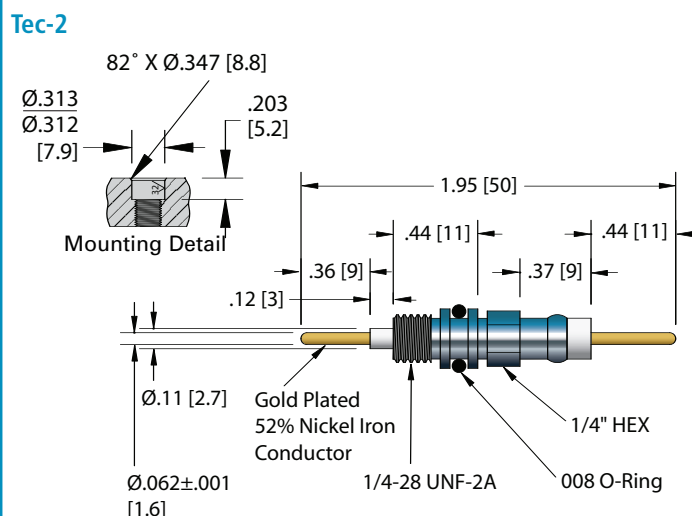
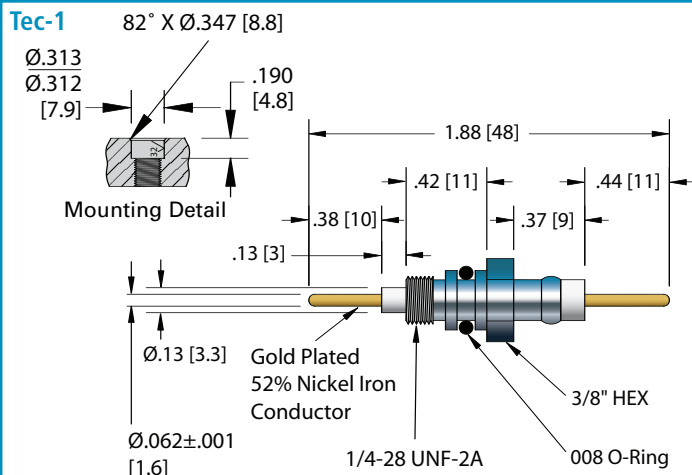
Body: 304 Stainless steel
 O-ring: Viton®
 Pin: 52 Nickel iron (Gold Plated)
 Insulation: Alumina ceramic
 Magnetic Materials: Yes

Voltage Rating 1.5 kV DC

Current Rating 7.5 Amps

Temperature Range -269° C to 450° C
 Viton® O-ring: -25° C to 205° C

Pressure @ 20°C 25,000 PSIG (1724 Bar)





Tec-1

INSTALLATION		PART NUMBER
HEX	THREAD	
3/8	1/4-28	50015-01-A



Tec-2

1/4	1/4-28	50019-01-A
-----	--------	------------



Tec-3

3/8	1/4-28	50020-01-A
-----	--------	------------



Contacts

TYPE	MATERIAL	DESCRIPTION	PART NUMBER
0.062 Crimp Contacts	Nickel Alloy	Accepts wire up to 0.062 [1.6]	0821-01-A†
0.062 Crimp Contacts	Beryllium Copper	Accepts wire up to 0.062 [1.6]	2044-02-A
0.062 Barrel Type Contacts	Beryllium Copper	Accepts wire up to 0.062 [1.6]	7332-03-A
Crimp Tool		For 0.025" - 0.075" Crimp Diameters	2840-05

*Contacts priced and sold in packages of 5. †Shown in photo. See the Accessories section for more information on all accessories.