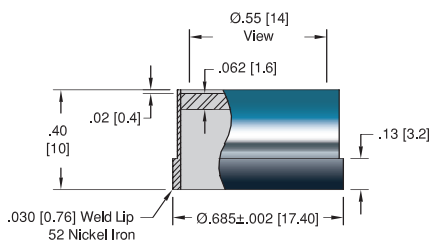
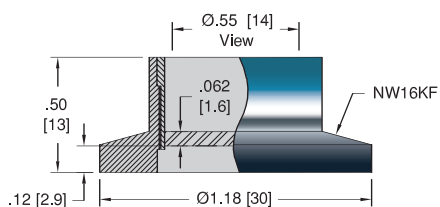


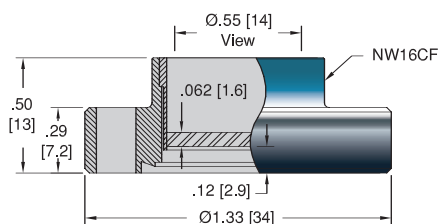
View Diameter: .55 [14]
Weldable



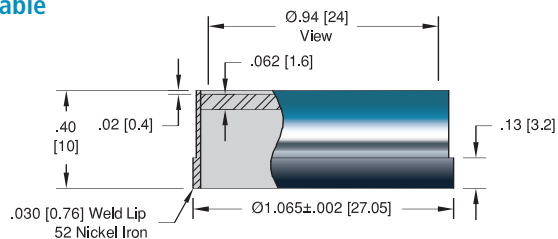
ISO KF



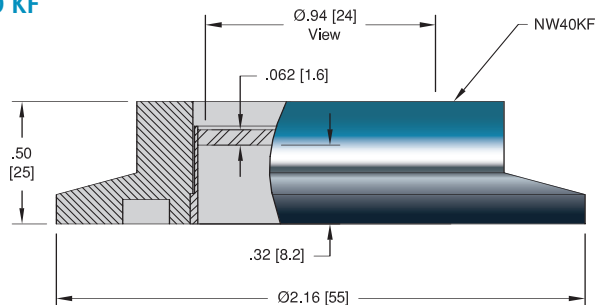
ConFlat



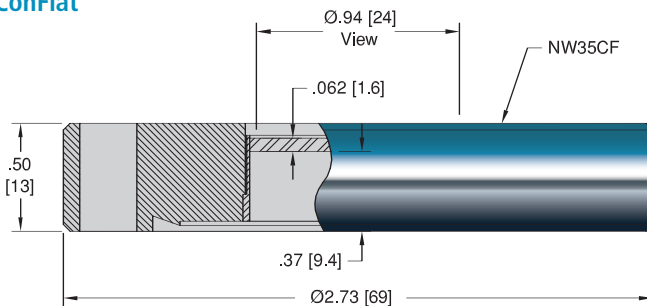
View Diameter: .94 [24]
Weldable



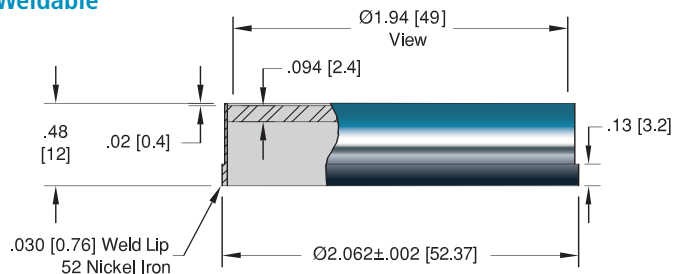
ISO KF



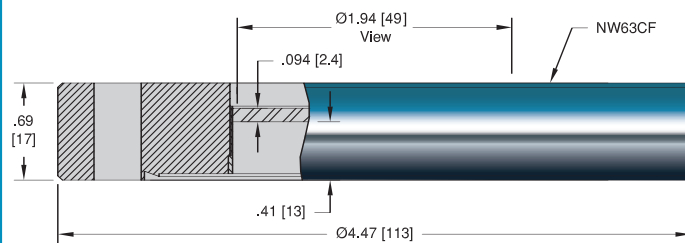
ConFlat



View Diameter: 1.94 [49.3]
Weldable



ConFlat



Specifications

Materials

Housing: 52 Nickel iron
Optic: Sapphire
Magnetic Materials: Yes

Transmission Range (80% Min) 0.25 to 4 Microns




Temperature Range -269°C to 450°C, ISO KF -25°C to 205°C

Pressure @ 20°C ISO KF 0 PSIG

.55 View Dia.: 400 PSIG (27.6 Bar)

.94 View Dia.: 160 PSIG (11 Bar)

1.94 View Dia.: 50 PSIG (3.4 Bar)

Weldable	VIEW DIAMETER	INSTALLATION	PART NUMBER
	.55 [14]	Weld	17105-01-W
	.94 [24]	Weld	17105-02-W
	1.94 [49]	Weld	17105-03-W
ISO FLANGE			
ISO KF 	.55 [14]	NW16KF	17106-01-KF
	.94 [24]	NW40KF	17106-02-KF
CONFLAT FLANGE			
ConFlat 	.55 [14]	1 1/3" (NW16CF)	9547-04-CF
	.94 [24]	2 3/4" (NW35CF)	18617-01-CF
	1.94 [49]	4 1/2" (NW63CF)	18617-02-CF

