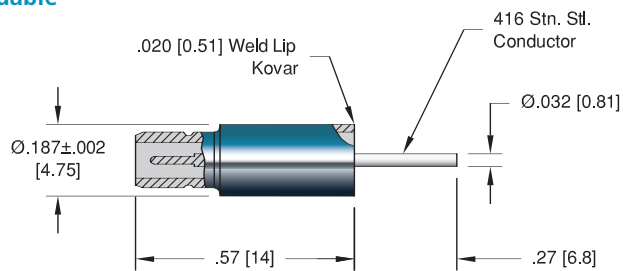
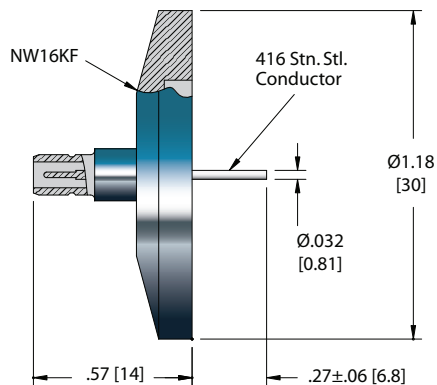


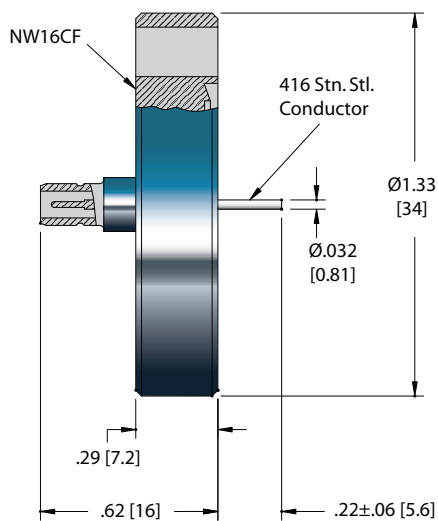
Weldable



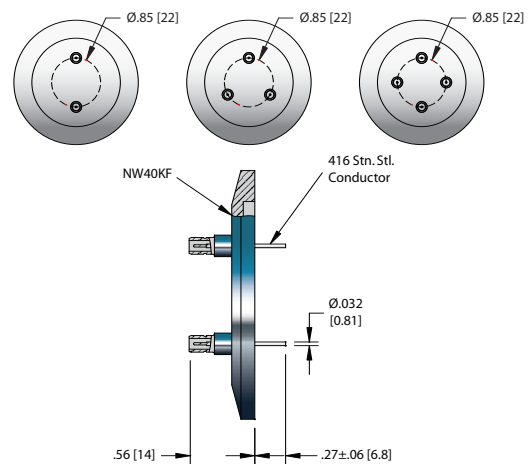
ISO KF - NW16KF



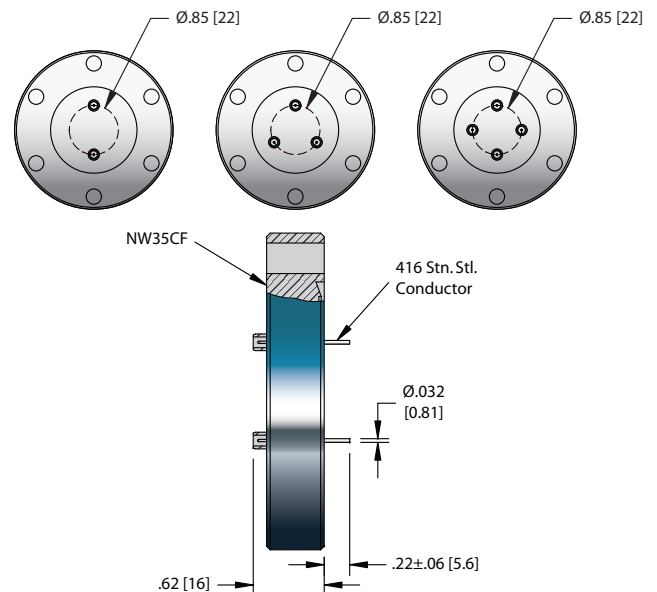
ConFlat - NW16CF



ISO KF - NW40KF



ConFlat - NW35CF



Specifications

Materials

Housing: Kovar
Pin: 416 Stainless steel
Insulation: Alumina ceramic
Magnetic Materials: Yes

Voltage Rating 500 V DC

Current Rating 1.4 Amps

Temperature Range -55°C to 450°C, ISO KF -25°C to 205°C

Pressure @ 20°C See table



Weldable

NO. PINS	INSTALLATION	PRESSURE @ 20°C		PART NUMBER
		PSIG	BAR	
1	Weld	3500	241	0713-02-W

ISO KF

ISO FLANGE

1	NW16KF	-	-	21371-01-KF
2	NW40KF	-	-	21379-01-KF
3	NW40KF	-	-	21381-01-KF
4	NW40KF	-	-	21383-01-KF

ConFlat

CONFLAT FLANGE

1	1 1/3" (NW16CF)	3000	207	21369-01-CF
2	2 3/4" (NW35CF)	1500	103	21373-01-CF
3	2 3/4" (NW35CF)	1500	103	21375-01-CF
4	2 3/4" (NW35CF)	1500	103	21377-01-CF

Air Side Plug

TYPE	VOLTAGE DC	CONDUCTOR AMPS	DIMENSIONS		DESCRIPTION	PART NUMBER
			H	L		
Air Side	375 V	5	0.25 [6.4]	0.71 [18]	SMB Plug	3095-12

Air Side Cable Assembly

TYPE	LENGTH	VOLTAGE DC	CONDUCTOR AMPS	TEMPERATURE		PART NUMBER
				MIN	MAX	
50 Ohm SMB – Double Ended	10'	500 V	2	-70	200	21618-01-A

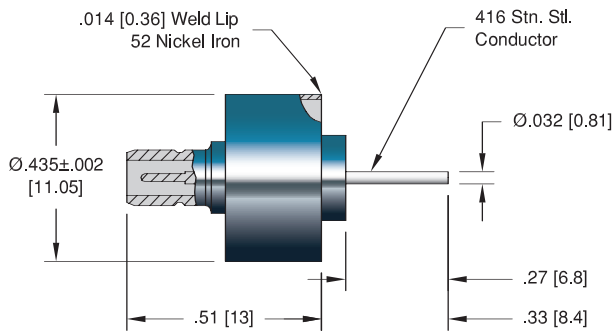
Contacts

TYPE	MATERIAL	DESCRIPTION	PART NUMBER
0.032 Crimp Contacts Crimp Tool	Beryllium Copper	Accepts wire up to 0.032 [0.81] For 0.025" – 0.075" Diameters	11288-02-X 2840-05

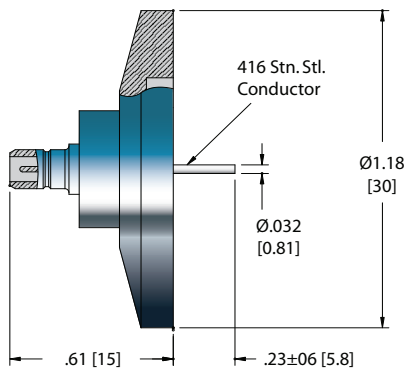
*Contacts priced and sold in packages of 10. See the Accessories section for more information on all accessories.



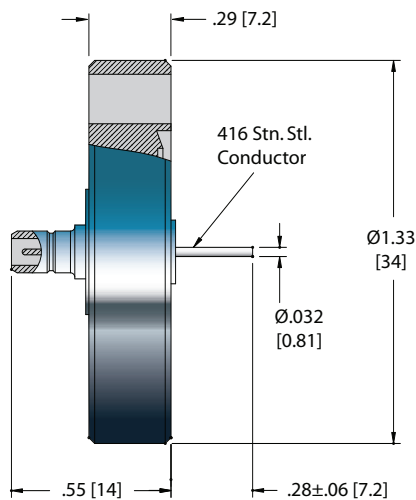
Weldable



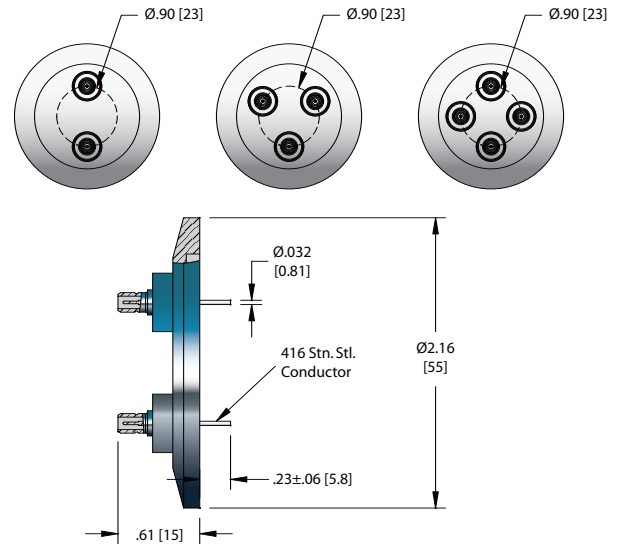
ISO KF - NW16KF



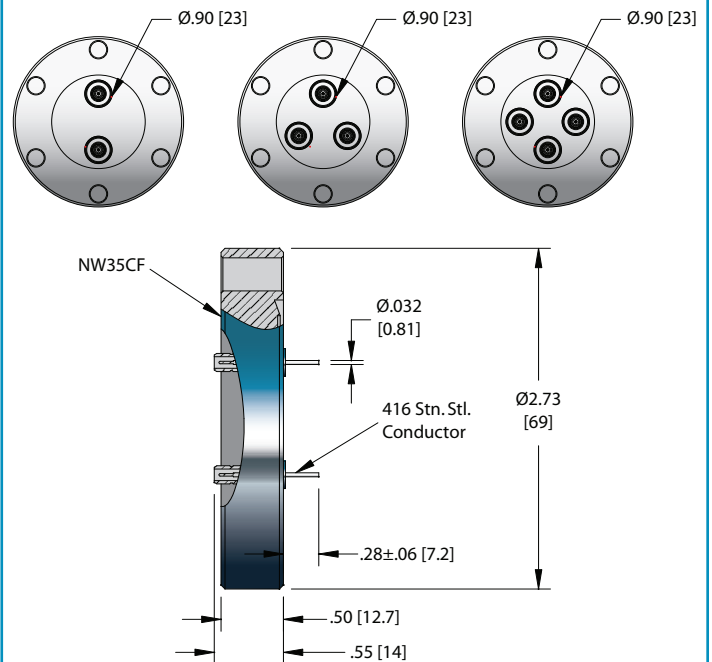
ConFlat - NW16CF



ISO KF - NW40KF



ConFlat - NW35CF



Specifications
Materials

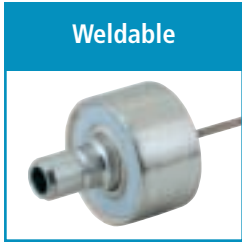
- Housing: 52 Nickel Iron
- Pin: 416 Stainless steel
- Insulation: Alumina ceramic
- Magnetic Materials: Yes

Voltage Rating Pin/Shield: 500 V DC, Shield/Grd: 1 kV DC

Current Rating 1.4 Amps

Temperature Range -55°C to 450°C, ISO KF -25°C to 205°C

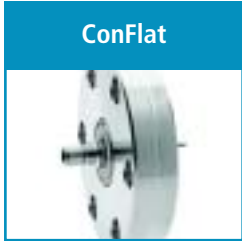
Pressure @ 20°C 500 PSIG (35 Bar), ISO KF 0 PSIG



NO. PINS	INSTALLATION	PART NUMBER
1	Weld	0714-02-W



ISO FLANGE		
1	NW16KF	21396-01-KF
2	NW40KF	21403-01-KF
3	NW40KF	21405-01-KF
4	NW40KF	21407-01-KF



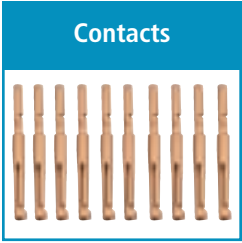
CONFLAT FLANGE		
1	1 1/3" (NW16CF)	21394-01-CF
2	2 3/4" (NW35CF)	21397-01-CF
3	2 3/4" (NW35CF)	21399-01-CF
4	2 3/4" (NW35CF)	21401-01-CF



TYPE	VOLTAGE DC	CONDUCTOR AMPS	DIMENSIONS H L		DESCRIPTION	PART NUMBER
Air Side	375 V	5	0.25 [6.4]	0.71 [18]	SMB Plug	3095-12



TYPE	LENGTH	VOLTAGE DC	CONDUCTOR AMPS	TEMPERATURE MIN	TEMPERATURE MAX	PART NUMBER
50 Ohm SMB – Double Ended	10'	500 V	2	-70	200	21618-01-A



TYPE	MATERIAL	DESCRIPTION	PART NUMBER
0.032 Crimp Contacts Crimp Tool	Beryllium Copper	Accepts wire up to 0.032 [0.81] For 0.025" – 0.075" Diameters	11288-02-X 2840-05

*Contacts priced and sold in packages of 10. See the Accessories section for more information on all accessories.

COAXIAL