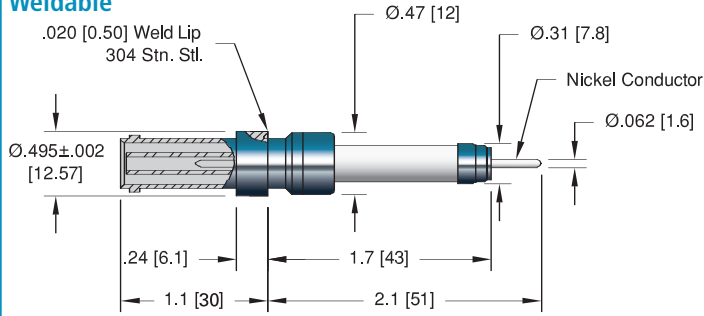
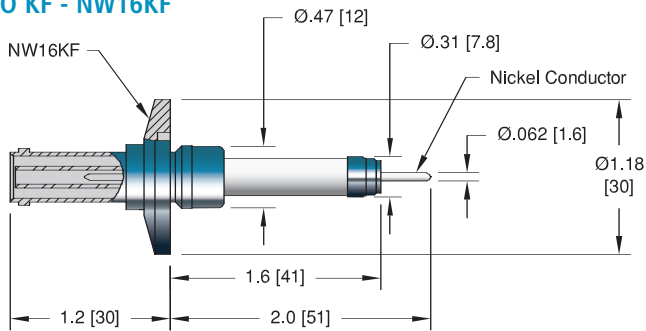


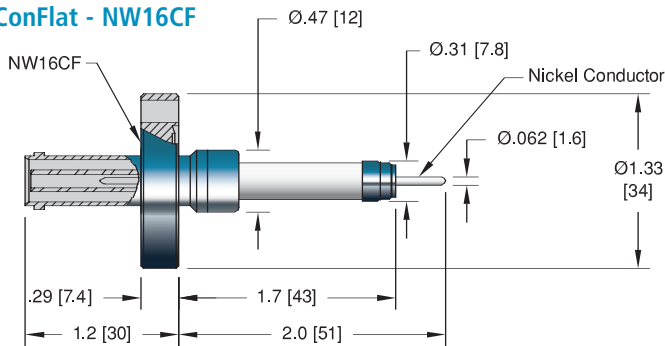
SHV 10 KV - Exposed Weldable



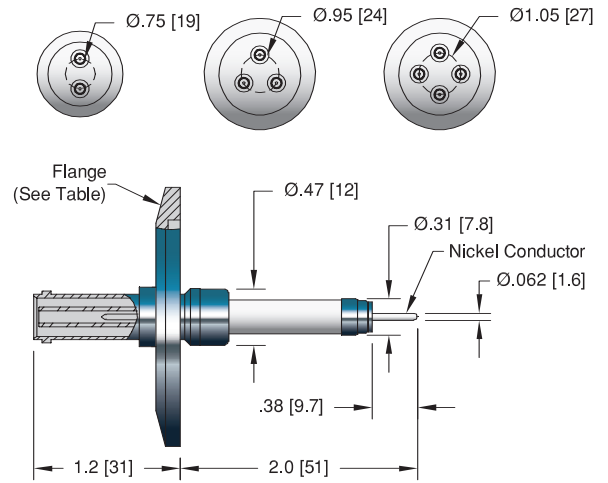
ISO KF - NW16KF



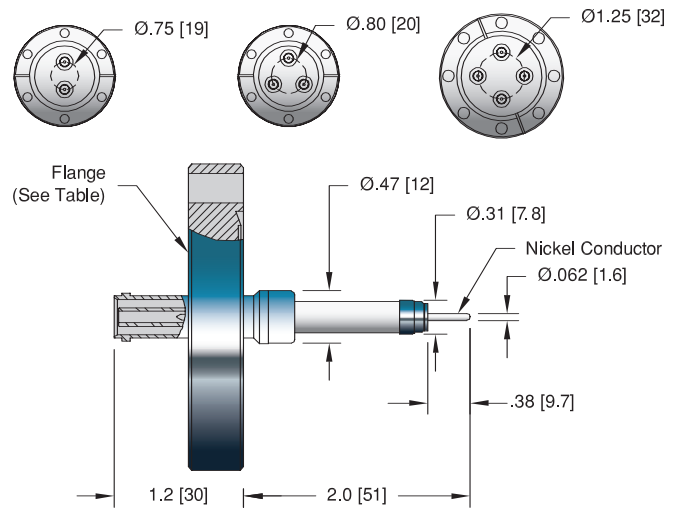
ConFlat - NW16CF



ISO KF



ConFlat



Specifications

Materials

- Housing: 304 Stainless steel
- Pin: Nickel
- Insulation: Alumina ceramic
- Magnetic Materials: Yes

Voltage Rating 10 kV DC

Current Rating 10 Amps

Temperature Range -269°C to 450°C, ISO KF -25°C to 205°C

Pressure @ 20°C 120 PSIG (8.3 Bar), ISO KF 0 PSIG



NO. PINS	INSTALLATION	PART NUMBER
1	Weld	17213-01-W

ISO FLANGE



1	NW16KF	18043-01-KF
1	NW40KF	17215-07-KF
2	NW40KF	17215-01-KF
3	NW50KF	17215-03-KF
4	NW50KF	17215-05-KF

CONFLAT FLANGE



1	1 1/3" (NW16CF)	17214-01-CF
1	2 3/4" (NW35CF)	17216-08-CF
2	2 3/4" (NW35CF)	17216-02-CF
3	2 3/4" (NW35CF)	17216-04-CF
4	3 3/8" (NW50CF)	17216-06-CF

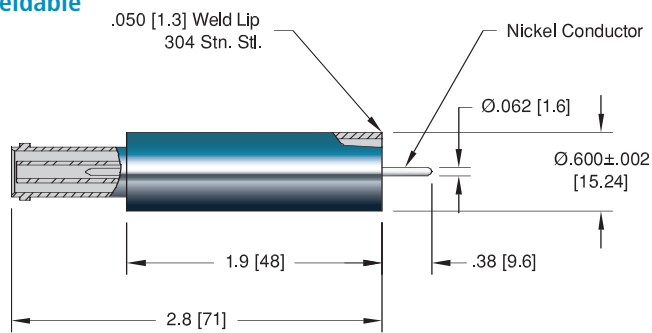


TYPE	VOLTAGE DC	CONDUCTOR AMPS	DIMENSIONS		DESCRIPTION	PART NUMBER
			H	L		
Air Side	10 kV	10	0.56 [14]	1.8 [46]	SHV 10 kV Plug	8058-02

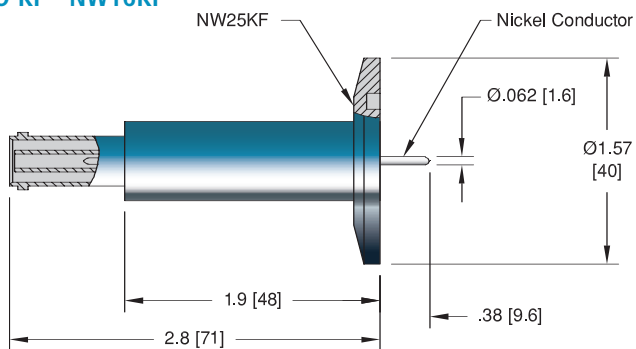


TYPE	MATERIAL	DESCRIPTION	PART NUMBER
0.062 Crimp Contacts	Nickel Alloy	Accepts wire up to 0.062 [1.6]	0821-01-A [†]
0.062 Crimp Contacts	Beryllium Copper	Accepts wire up to 0.062 [1.6]	2044-02-A
0.062 Barrel Type Contacts	Beryllium Copper	Accepts wire up to 0.062 [1.6]	7332-03-A
Crimp Tool		For 0.025" - 0.075" Diameters	2840-05

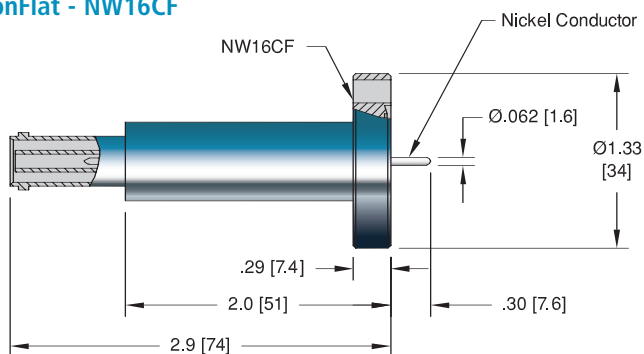
*Contacts priced and sold in packages of 10. [†]Shown in photo. See the Accessories section for more information on all accessories.

SHV 10 KV - Recessed Insulator
Weldable

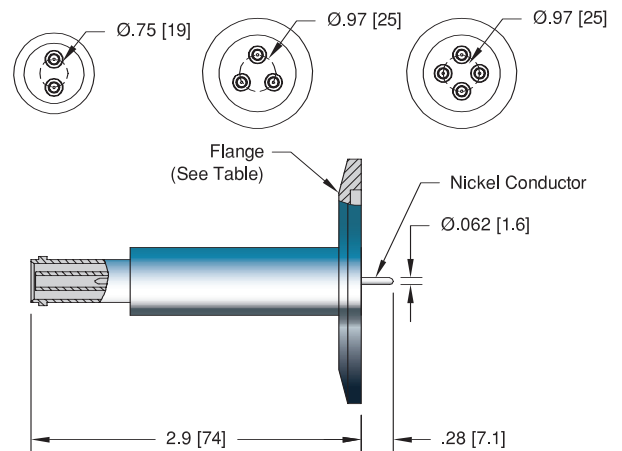
ISO KF - NW16KF



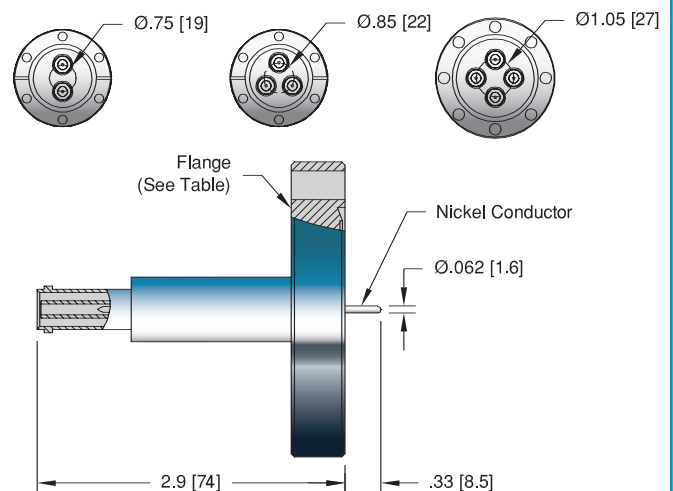
ConFlat - NW16CF



ISO KF



ConFlat

Specifications
Materials

Housing: 304 Stainless steel
Pin: Nickel
Insulation: Alumina ceramic
Magnetic Materials: Yes

Voltage Rating 10 kV DC

Current Rating 10 Amps

Temperature Range -269°C to 450°C, ISO KF -25°C to 205°C

Pressure @ 20°C 120 PSIG (8.3 Bar), ISO KF 0 PSIG



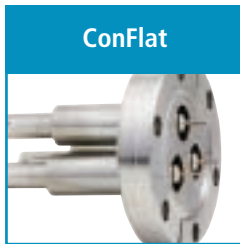
Weldable

NO. PINS	INSTALLATION	PART NUMBER
1	Weld	17217-01-W



ISO KF

ISO FLANGE		
1	NW25KF	17218-01-KF
1	NW40KF	18000-07-KF
2	NW40KF	18000-01-KF
3	NW50KF	18000-03-KF
4	NW50KF	18000-05-KF



ConFlat

CONFLAT FLANGE		
1	1 1/3" (NW16CF)	17219-01-CF
1	2 3/4" (NW35CF)	18001-07-CF
2	2 3/4" (NW35CF)	18001-01-CF
3	2 3/4" (NW35CF)	18001-03-CF
4	3 3/8" (NW50CF)	18001-05-CF



Air Side Plug

TYPE	VOLTAGE DC	CONDUCTOR AMPS	DIMENSIONS H L		DESCRIPTION	PART NUMBER
Air Side	10 kV	10	0.56 [14]	1.8 [46]	SHV 10 kV Plug	8058-02



Contacts

TYPE	MATERIAL	DESCRIPTION	PART NUMBER
0.062 Crimp Contacts	Nickel Alloy	Accepts wire up to 0.062 [1.6]	0821-01-A [†]
0.062 Crimp Contacts	Beryllium Copper	Accepts wire up to 0.062 [1.6]	2044-02-A
0.062 Barrel Type Contacts	Beryllium Copper	Accepts wire up to 0.062 [1.6]	7332-03-A
Crimp Tool		For 0.025" - 0.075" Diameters	2840-05

*Contacts priced and sold in packages of 10. [†]Shown in photo. See the Accessories section for more information on all accessories.