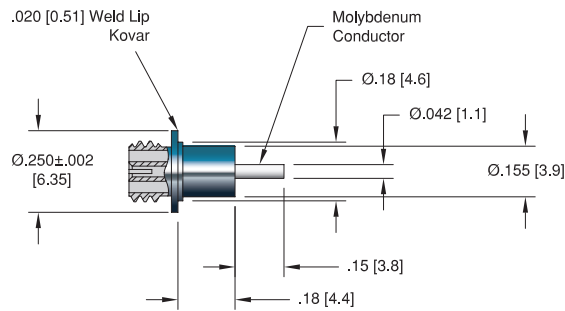
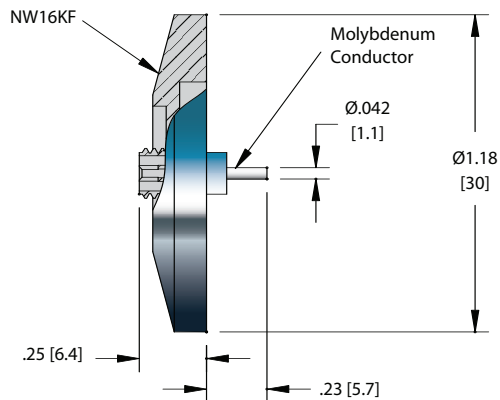


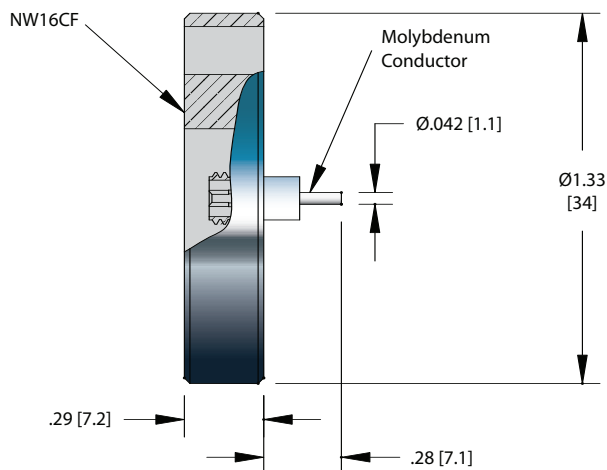
Weldable



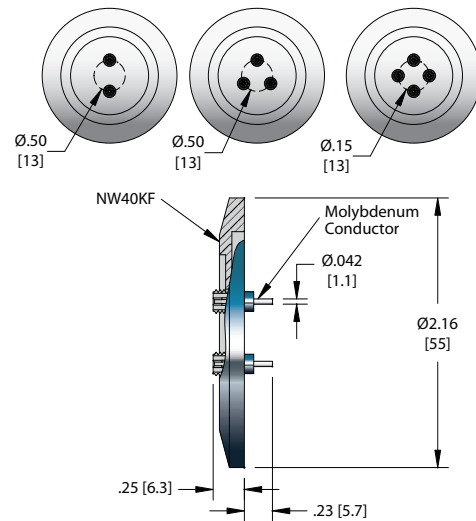
ISO KF - NW16KF



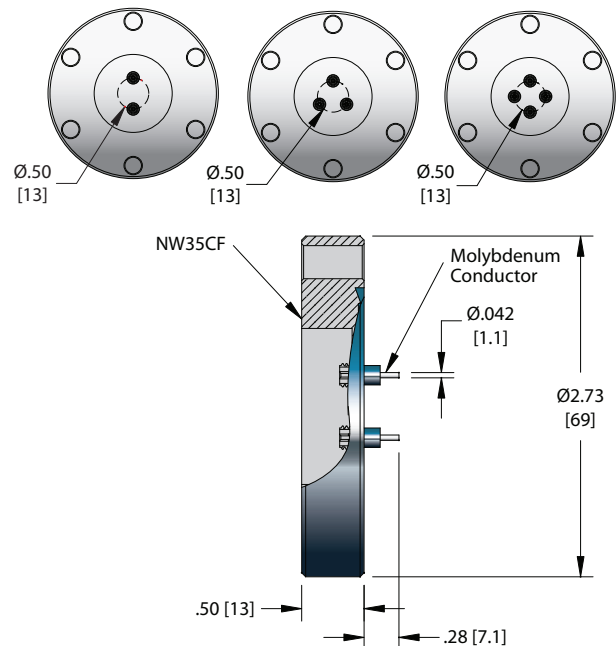
ConFlat - NW16CF



ISO KF - NW40KF



ConFlat - NW35CF



Specifications

Materials

Housing: Kovar
Pin: Molybdenum
Insulation: Alumina ceramic
Magnetic Materials: Yes

Voltage Rating 1 kV DC

Current Rating 2 Amps

Temperature Range -55°C to 450°C, ISO KF -25°C to 205°C

Pressure @ 20°C See table



Weldable

NO. PINS	INSTALLATION	PRESSURE @ 20°C		PART NUMBER
		PSIG	BAR	
1	Weld	1600	110	17614-01-W

ISO FLANGE



ISO KF

1	NW16KF	-	-	21507-01-KF
2	NW40KF	-	-	21525-01-KF
3	NW40KF	-	-	21526-01-KF
4	NW40KF	-	-	21527-01-KF

CONFLAT FLANGE



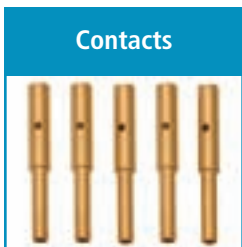
ConFlat

1	1 1/3" (NW16CF)	1600	110	21505-01-CF
2	2 3/4" (NW35CF)	1500	103	21522-01-CF
3	2 3/4" (NW35CF)	1500	103	21523-01-CF
4	2 3/4" (NW35CF)	1500	103	21524-01-CF



Air Side Cable Assembly

TYPE	LENGTH	VOLTAGE DC	CONDUCTOR AMPS	TEMPERATURE		PART NUMBER
				MIN	MAX	
Microdot – Single Ended	10'	1 kV	2	-65°C	125°C	14544-01-A



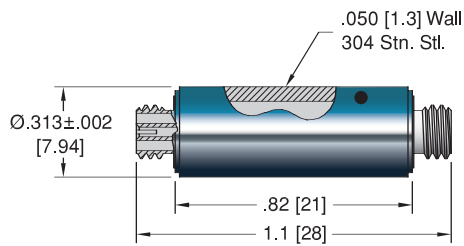
Contacts

TYPE	MATERIAL	DESCRIPTION	PART NUMBER
0.042 Crimp Contacts Crimp Tool	Gold Plated 300 Series Stn. Stl.	Accepts wire up to 0.030 [0.76] For 0.025" – 0.075" Diameters	14461-04-A 2840-05

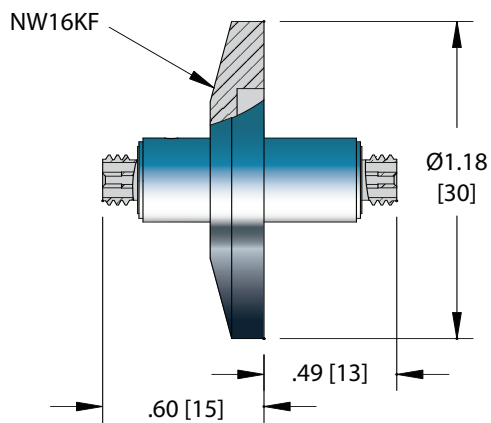
*Contacts priced and sold in packages of 5. See the Accessories section for more information on all accessories.

COAXIAL

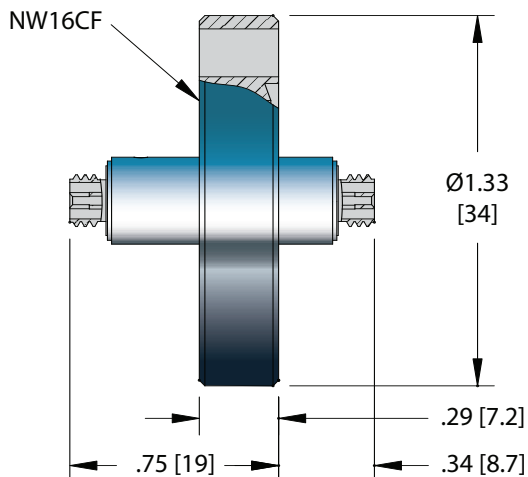
Weldable



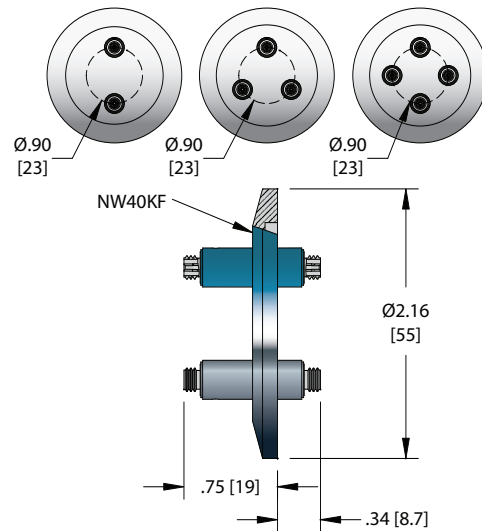
ISO KF - NW16KF



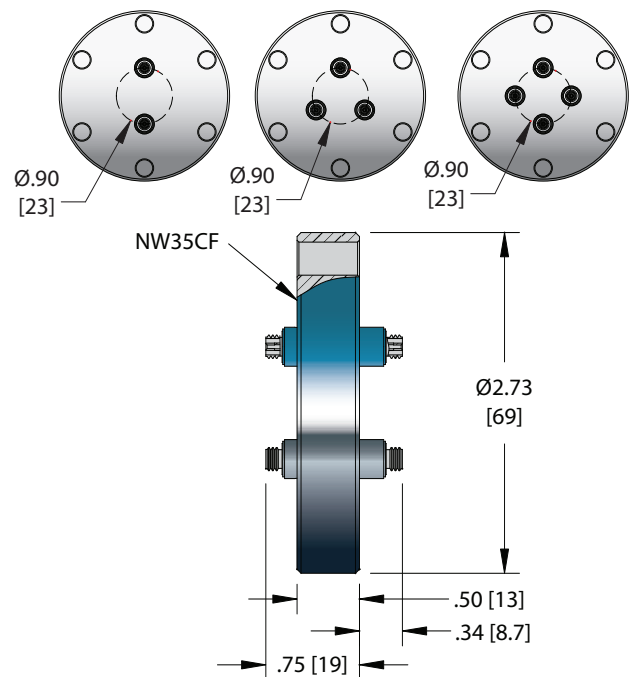
ConFlat - NW16CF



ISO KF - NW40KF



ConFlat - NW35CF



Specifications

Materials


Housing: 304 Stainless steel
 Contact: 304 Stainless steel
 Insulation: Alumina ceramic
 Magnetic Materials: Yes

Voltage Rating 1 kV DC


Current Rating 2 Amps

Temperature Range -55°C to 450°C, ISO KF -25°C to 205°C


Pressure @ 20°C See table


Weldable	NO. PINS	INSTALLATION	PRESSURE @ 20°C		PART NUMBER
			PSIG	BAR	
	1	Weld	1600	110	18044-02-W


ISO FLANGE

	1	NW16KF	-	-	21511-01-KF
	2	NW40KF	-	-	21517-01-KF
	3	NW40KF	-	-	21518-01-KF
	4	NW40KF	-	-	21519-01-KF

CONFLAT FLANGE

	1	1 1/3" (NW16CF)	1600	110	21509-01-CF
	2	2 3/4" (NW35CF)	1500	103	21514-01-CF
	3	2 3/4" (NW35CF)	1500	103	21515-01-CF
	4	2 3/4" (NW35CF)	1500	103	21516-01-CF

Air Side Cable Assembly	TYPE	LENGTH	VOLTAGE DC	CONDUCTOR AMPS	TEMPERATURE		PART NUMBER
					MIN	MAX	
	Microdot Air Side – Single Ended	10'	1 kV	2	-65°C	125°C	14544-01-A

Vacuum Side Cable Assembly	TYPE	LENGTH	VOLTAGE DC	CONDUCTOR AMPS	TEMPERATURE		PART NUMBER
					MIN	MAX	
	Microdot Vacuum Side – Double Ended	12"	500 V	2	-65°C	125°C	15767-12-A
	Microdot Vacuum Side – Double Ended	24"	500 V	2	-65°C	125°C	15767-24-A
	Microdot Vacuum Side – Double Ended	36"	500 V	2	-65°C	125°C	15767-36-A†

†Shown in photo. See the Accessories section for more information on all accessories.