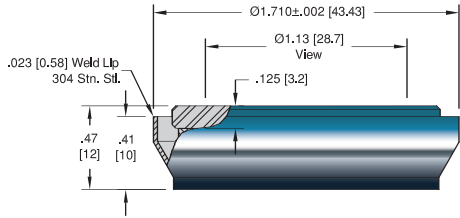
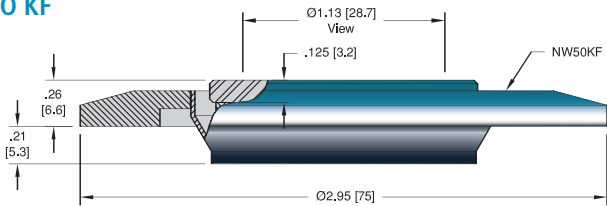


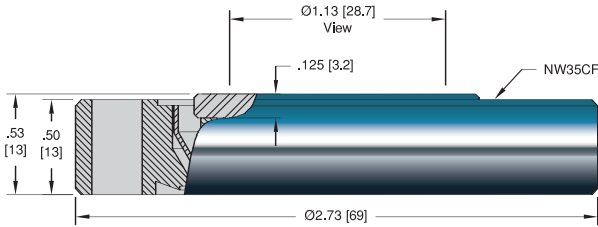
View Diameter: 1.13 [28.7]
Weldable



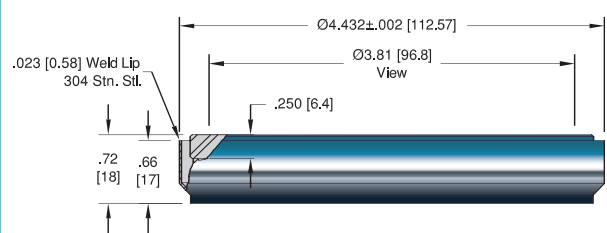
ISO KF



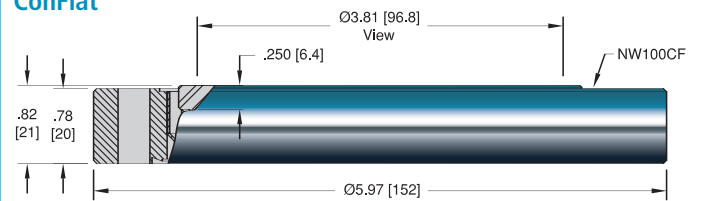
ConFlat



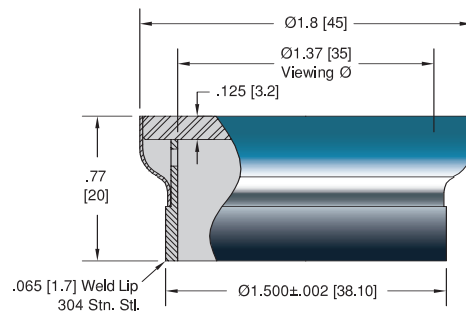
View Diameter: 3.81 [96.8]
Weldable



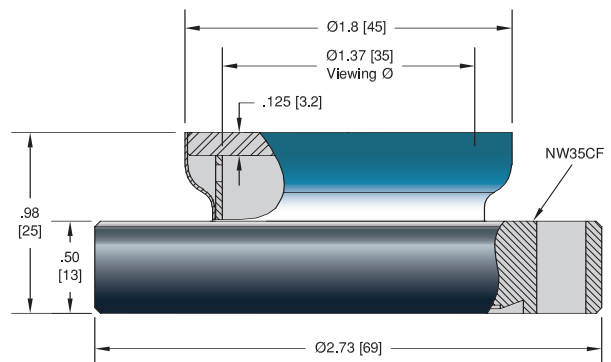
ConFlat



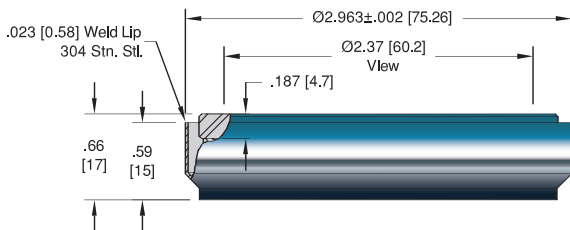
Cryogenic – View Diameter: 1.37 [35]
Weldable



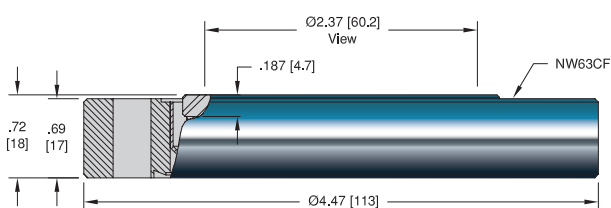
ConFlat




View Diameter: 2.37 [60.2]
Weldable



ConFlat





| Weldable | VIEW DIAMETER | INSTALLATION | TEMPERATURE RANGE | | MAGNETIC MATERIALS | PART NUMBER |
|-----------------------------------------------------------------------------------|---------------|--------------|-------------------|-----|--------------------|-------------|
| | | | MIN | MAX | | |
|  | 1.13 [28.7] | Weld | -65 | 200 | No | 11466-09-W* |
| | 2.37 [60.2] | Weld | -65 | 200 | No | 11466-10-W* |
| | 3.81 [96.8] | Weld | -65 | 200 | No | 11466-11-W* |


ISO FLANGE

| | | | | | | |
|-----------------------------------------------------------------------------------|-------------|--------|-----|-----|----|--------------|
|  | 1.13 [28.7] | NW50KF | -25 | 200 | No | 17109-01-KF* |
|-----------------------------------------------------------------------------------|-------------|--------|-----|-----|----|--------------|

CONFLAT FLANGE

| | | | | | | |
|-----------------------------------------------------------------------------------|-------------|-----------------|-----|-----|----|--------------|
|  | 1.13 [28.7] | 2 3/4" (NW35CF) | -65 | 200 | No | 11466-01-CF* |
| | 2.37 [60.2] | 4 1/2" (NW63CF) | -65 | 200 | No | 11466-02-CF* |
| | 3.81 [96.8] | 6" (NW100CF) | -65 | 200 | No | 11466-03-CF* |

| Cryogenic Weldable | VIEW DIAMETER | INSTALLATION | TEMPERATURE RANGE | | MAGNETIC MATERIALS | PART NUMBER |
|-------------------------------------------------------------------------------------|---------------|--------------|-------------------|-----|--------------------|-------------|
| | | | MIN | MAX | | |
|  | 1.37 [35] | Weld | -196 | 200 | No | 4901-01-W* |
| | 1.37 [35] | Weld | -269 | 200 | Yes | 9600-01-W* |

| | | | | | | |
|-------------------------------------------------------------------------------------|-----------|-----------------|------|-----|-----|-------------|
|  | 1.37 [35] | 2 3/4" (NW35CF) | -196 | 200 | No | 4900-01-CF* |
| | 1.37 [35] | 2 3/4" (NW35CF) | -269 | 200 | Yes | 4900-21-CF* |

*This part is not RoHS compliant.

Specifications**Materials**

Housing: 304 Stainless steel
 Optic: UV Grade Fused Silica
 Magnetic Materials: See Table

Transmission Range (80% Min) 0.25 to 2 Microns

Temperature Range See Table

Pressure @ 20°C ISO KF 0 PSIG

1.13 View Dia.: 115 PSIG (7.9 Bar)
 1.37 View Dia.: 35 PSIG (2.4 Bar)
 2.37 View Dia.: 35 PSIG (2.4 Bar)
 3.81 View Dia.: 25 PSIG (1.7 Bar)