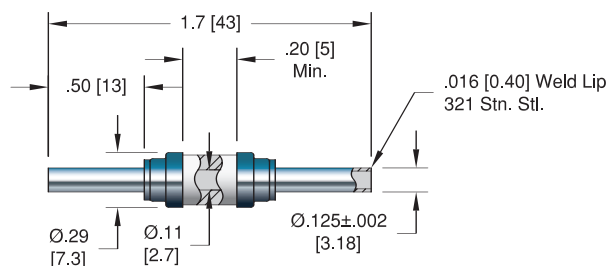
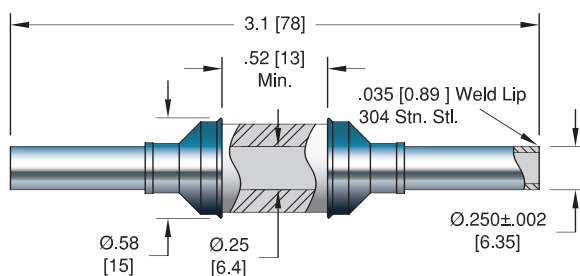




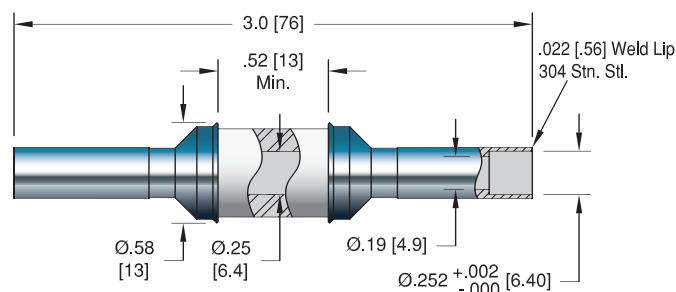
Cryogenic - ID: .11 [2.7]



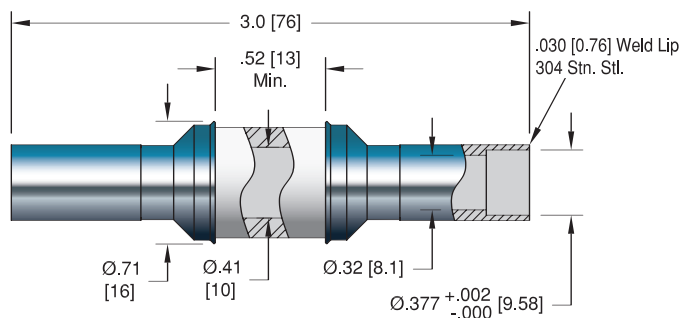
Cryogenic - ID: .25 [6.4]



Cryogenic - ID: .25 [6.4]



Cryogenic - ID: .41 [10]



Specifications

Materials

Tube:

.11 ID: 321 Stainless steel

.25 ID: 304 Stainless steel

.41 ID: 304 Stainless steel

Cap: 42 Nickel iron

Insulation: Alumina ceramic

Magnetic Materials: Yes

Voltage Rating See table

Temperature Range -269°C to 450°C

Pressure @ 20°C See table



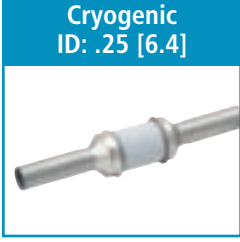
VOLTAGE DC	INSTALLATION	PRESSURE	
		PSIG	BAR
6 kV	Weld	1000	68

PART NUMBER
0858-01-W



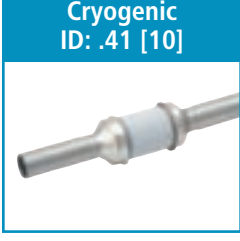
13 kV	Weld	900	61
-------	------	-----	----

17108-01-W



13 kV	Weld	900	61
-------	------	-----	----

8002-01-W



13 kV	Weld	400	27
-------	------	-----	----

8002-02-W

ISOLATOR

