



## Specifications

### Materials

Housing: 304 Stainless steel  
 Pin: Inconel X-750  
 Contacts: 300 Series Stainless steel  
 Insulation: Glass-ceramic  
 Magnetic Materials: No

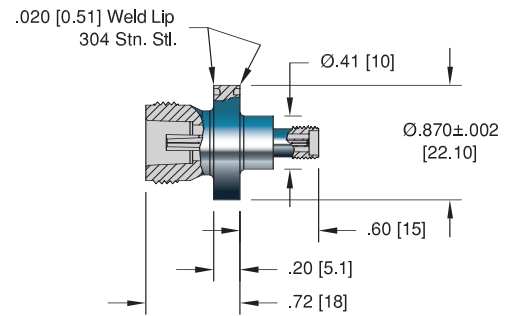
**Voltage Rating** 1.5 kV DC

**Current Rating** 1 Amp

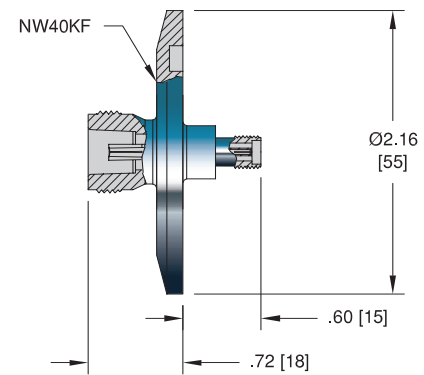
**Temperature Range** -269°C to 350°C, ISO KF -25°C to 205°C

**Pressure @ 20°C** 1400 PSIG (97 Bar), ISO KF 0 PSIG

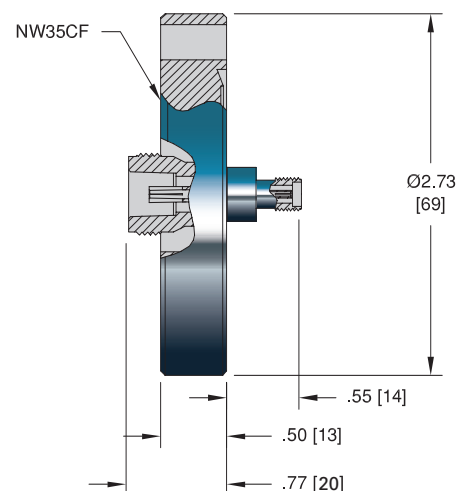
### Weldable



### ISO KF



### ConFlat





Weldable

INSTALLATION
Weld

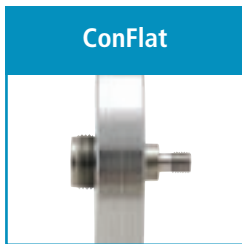
PART NUMBER
15025-02-W



ISO KF

ISO FLANGE
NW40KF

PART NUMBER
18083-02-KF



ConFlat

CONFLAT FLANGE
2 3/4" (NW35CF)

PART NUMBER
18084-02-CF



Air Side Plug

TYPE	VOLTAGE DC	CONDUCTOR AMPS	DIMENSIONS		DESCRIPTION
			H	L	
Air Side	1.5 kV	5	0.81 [20]	1.5 [38]	Type N Plug

PART NUMBER
7707-01

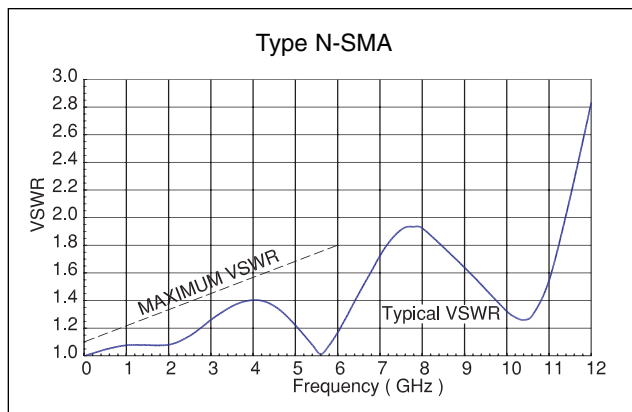


Air Side Cable Assembly

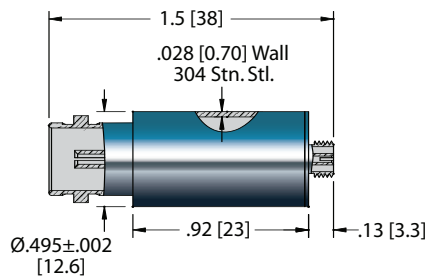
TYPE	LENGTH	VOLTAGE DC	CONDUCTOR AMPS	TEMPERATURE	
				MIN	MAX
50 Ohm Type N – Double Ended	10'	1.5 kV	5	-55	85

PART NUMBER
21619-01-A

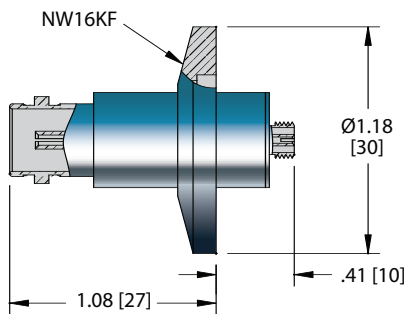
See the Accessories section for more information on all accessories.



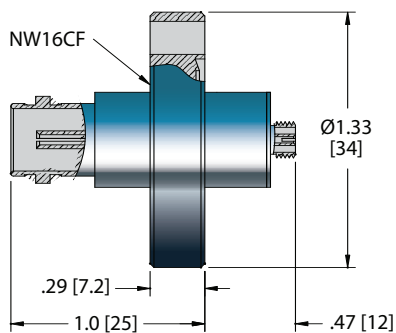
## Weldable



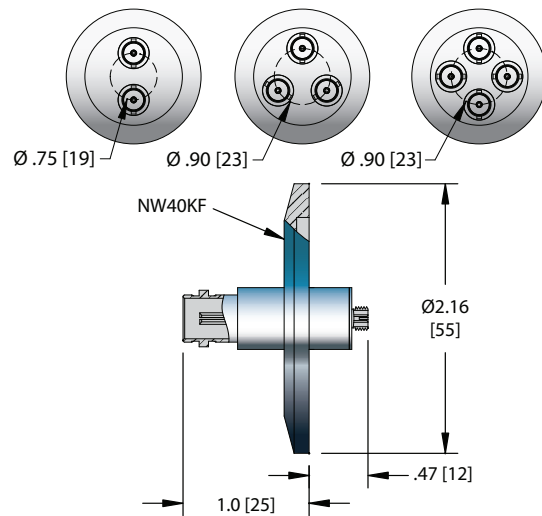
## ISO KF - NW16KF



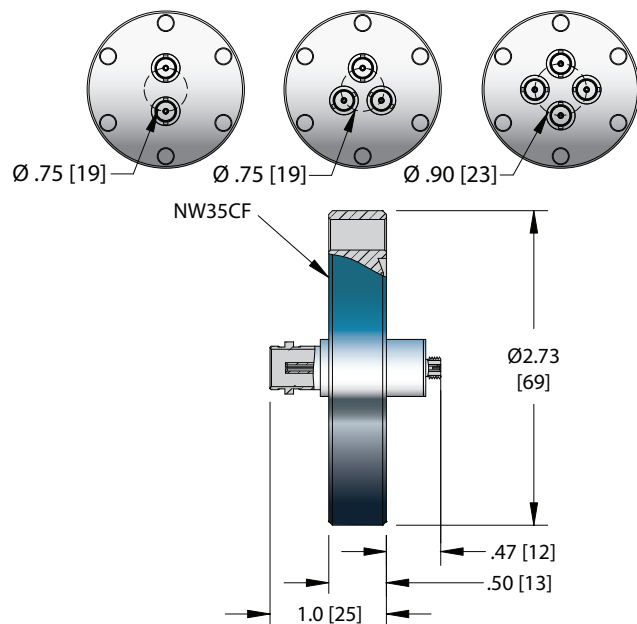
## ConFlat - NW16CF



## ISO KF - NW40KF



## ConFlat - NW35CF



## Specifications

## Materials

Housing: 304 Stainless steel  
 Pin: 330 Stainless steel  
 Insulation: Glass-ceramic  
 Magnetic Materials: No

Voltage Rating 500 V DC

Current Rating 5 Amps

Temperature Range -269°C to 450°C, ISO KF -25°C to 205°C

Pressure @ 20°C 1400 PSIG (97 Bar), ISO KF 0 PSIG



**Weldable**

NO. PINS	INSTALLATION	PART NUMBER
1	Weld	21254-01-W

**ISO KF**

ISO FLANGE		
1	NW16KF	21256-01-KF
1	NW40KF	21292-01-KF
2	NW40KF	21261-01-KF
3	NW40KF	21262-01-KF
4	NW40KF	21263-01-KF

**ConFlat**

CONFLAT FLANGE		
1	1 1/3" (NW16CF)	21255-01-CF
1	2 3/4" (NW35CF)	21291-01-CF
2	2 3/4" (NW35CF)	21257-01-CF
3	2 3/4" (NW35CF)	21258-01-CF
4	2 3/4" (NW35CF)	21259-01-CF

**Air Side Plug**

TYPE	DIMENSIONS		DESCRIPTION	PART NUMBER
	H	L		
Air Side	0.56 [14]	1.1 [27]	BNC Plug	7116-02

**Air Side Cable Assembly**

TYPE	LENGTH	VOLTAGE DC	CONDUCTOR AMPS	TEMPERATURE		PART NUMBER
				MIN	MAX	
50 Ohm BNC – Double Ended	10'	500 V	5	-40	85	18921-01-A

**Vacuum Side Cable Assemblies**

TYPE	LENGTH	VOLTAGE DC	CONDUCTOR AMPS	TEMPERATURE		PART NUMBER
				MIN	MAX	
Microdot Vacuum Side – Double Ended	12"	500 V	2	-65°C	125°C	15767-12-A
Microdot Vacuum Side – Double Ended	24"	500 V	2	-65°C	125°C	15767-24-A
Microdot Vacuum Side – Double Ended	36"	500 V	2	-65°C	125°C	15767-36-A†

†Shown in photo. See the Accessories section for more information on all accessories.